

C WYU b'7 c bHJ]bYf'8]a Ybg]cbg'



G H 5 B 8 5 F 8' & \$ fl'

INSIDE LENGTH	19'4"	5.89 m
INSIDE WIDTH	7'8"	2.35 m
INSIDE HEIGHT	7'10"	2.39 m
DOOR WIDTH	7'8"	2.33 m
DOOR HEIGHT	7'6"	2.27 m
CAPACITY	1,165 ft³	33 m³
TARE WEIGHT	5,030 lb	2,280 kg
MAX. CARGO	62,170 lb	28,200 kg

	STANDARD 40'		HIGH C	E 40'
INSIDE LENGTH	39'5"	12.03 m	39'5"	12.03 m
INSIDE WIDTH	7'8"	2.35 m	7'8"	2.33 m
INSIDE HEIGHT	7'10"	2.39 m	8'10"	2.69 m
DOOR WIDTH	7'8"	2.34 m	7'8"	2.34 m
DOOR HEIGHT	7'6"	2.27 m	8'5"	2.57 m
CAPACITY	2,366 ft³	67 m³	2,684 ft³	76 m³
TARE WEIGHT	8,157 lb	3,700 kg	8,554 lb	3,880 kg
MAX. CARGO	63,493 lb	28,800 kg	63,100 lb	28,620 kg



	OPEN TOP 20'		OPEN TOP 40'	
INSIDE LENGTH	19'5"	5.91 m	40'	12.19 m
INSIDE WIDTH	7'8"	2.34 m	7'8"	2.33 m
INSIDE HEIGHT	7'6"	2.28 m	7'6"	2.28 m
DOOR WIDTH	7'6"	2.28 m	7'6"	2.28 m
DOOR HEIGHT	7'4"	2.25 m	7'4"	2.25 m
CAPACITY	1,114 ft³	32 m³	2,350 ft³	65 m³
TARE WEIGHT	5,027 lb	2,280 kg	8,818 lb	4000 kg

MAX. CARGO	61,728 lb	28,000 kg	63,272 lb	28,700 kg
------------	-----------	-----------	-----------	-----------



	REE ER 20'		REE ER 40'	
INSIDE LENGTH	17'10"	5.45 m	37'11"	11.58 m
INSIDE WIDTH	7'5"	2.29 m	7'11"	2.27 m
INSIDE HEIGHT	7'1"	2.16 m	7'11"	2.41 m
DOOR WIDTH	7'6"	2.29 m	7'5"	2.27 m
DOOR HEIGHT	7'3"	2.21 m	7'0"	2.47 m
CAPACITY	953 ft³	27 m³	2,384 ft³	67.50 m³
TARE WEIGHT	6,591 lb	2,990 kg	9,965 lb	4,520 kg
MAX. CARGO	60,600 lb	27,490 kg	64,992 lb	29,480 kg



	LAT RAC 20'		LAT RAC 40'	
INSIDE LENGTH	18'5"	5.61 m	39'7"	12.06 m
INSIDE WIDTH	7'3"	2.20 m	6'10"	2.08 m
INSIDE HEIGHT	7'4"	2.23 m	6'5"	1.95 m
TARE WEIGHT	5,578 lb	2,530 kg	12,081 lb	5,479 kg
MAX. CARGO	47,333 lb	21,469 kg	85,800 lb	38,918 kg

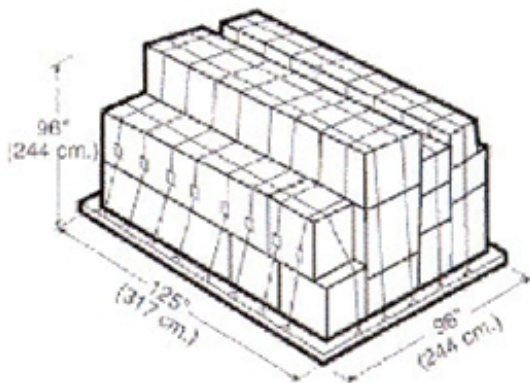


18'6"	5.63 m	39'7"	12.06 m
7'3"	2.20 m	6'10"	2.08 m
7'4"	2.23 m	6'5"	1.95 m
6,061 lb	2,749 kg	12,787 lb	5,800 kg
61,117 lb	27,722 kg	85,800 lb	38,918 kg



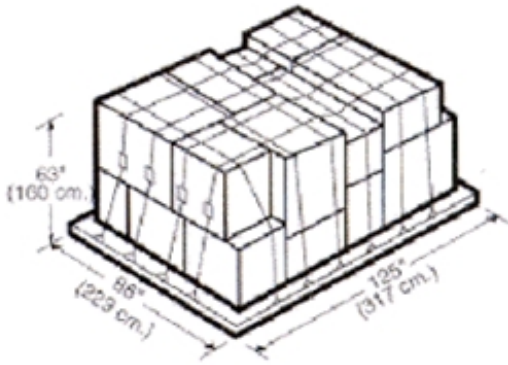
19'11"	6.07 m	40'0"	12.19 m
8'0"	2.43 m	8'0"	2.43 m
7'4"	2.23 m	6'5"	1.95 m
6,061 lb	2,749 kg	12,783 lb	5,798 kg
52,896 lb	23,993 kg	66,397 lb	30,117 kg

Air Container Dimensions



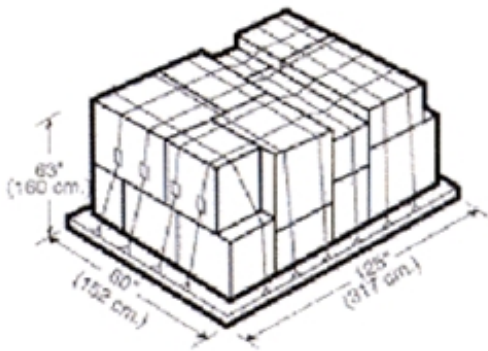
(Equivalent to IATA Type 2)

606 cu ft/17.16 cu m
15,000 lb/6,804 kg (L x
W x H) Contoured 125"
x 96" x 96"
317cm x 244cm x 244cm



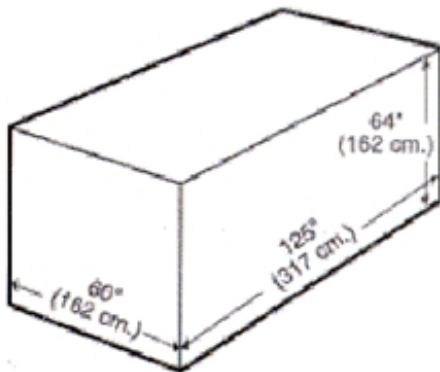
(Equivalent to IATA Type 5)

	379.9 cu ft/10 cu m
	10,200 lb/4,627 kg
	(L x W x H) Contoured
	125" x 88" x 63"
	317 cm x 223 cm x 160cm



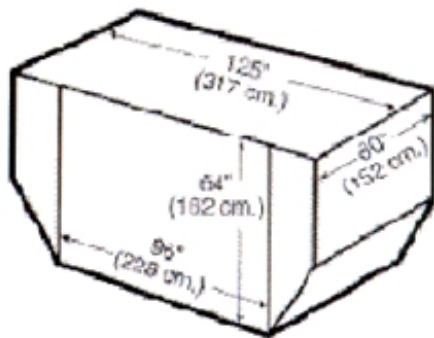
(Equivalent to IATA Type 6)

	242 cu ft/6.9 cu m
	7,000 lbs/3,176 kg
	(L x W x H) Contoured
	125" x 60" x 63"
	317 cm x 152 cm x 160 cm



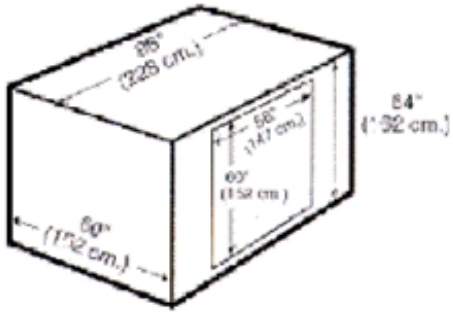
(Equivalent to IATA Type 6)

	242 cu ft/6.9 cu m
	7,000 lbs/3,176 kg
	(L x W x H) Contoured
	125" x 60" x 64"
	317 cm x 162 cm x 162 cm



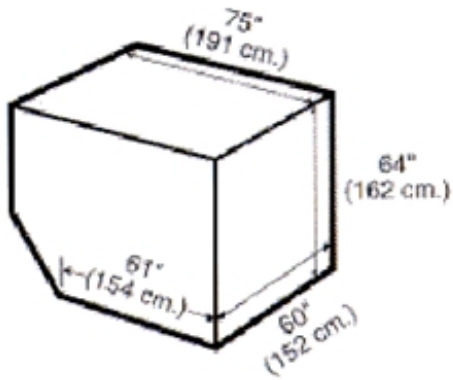
(Equivalent to IATA Type 6A)

	243 cu ft/6.9 cu m
	5,400 lb/2,450 kg
	(L x W x H) Contoured
	96" x 60" x 64"
	228 cm x 152 cm x 162 cm



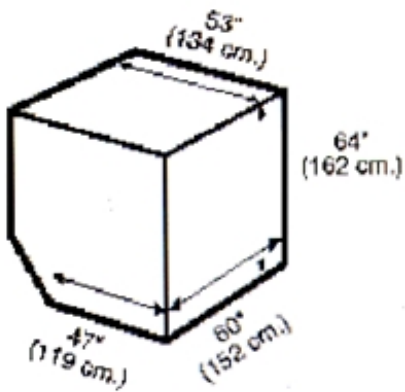
(Equivalent to IATA Type 7A)

	174 cu ft/5 cu m
	5,400 lb/2,450 kg
	(L x W x H) Contoured
	96" x 60" x 64"
	228 cm x 152 cm x 162 cm



(Equivalent to IATA Type 8)

	150 cu ft/4 cu m
	3,500 lb/1,588 kg
	(L x W x H) Contoured
	61" x 60" x 64"
	154 cm x 152 cm x 162 cm



(Equivalent to IATA Type 8D)

	120 cu ft/3 cu m
	2,700 lb/1,225 kg
	(L x W x H) Contoured
	47" x 60" x 64"
	119 cm x 152 cm x 162 cm